

THE RUGGED SERIES

PROXIMITY CARD READER

Rugged – rug'ged [rugged]
 Physically strong enough to endure harsh conditions



RS555



RS535

Read Range	4 to 7 inches	3 to 5 inches
Technology	Proximity-RFID	Proximity-RFID
Input Voltage	+5 to 14 VDC	+5 to 14 VDC
Current Draw	40 mA typical	40 mA typical
Operating Temp	-40° C to +65° C	-40° C to +65° C
Application	Double Gang Box	Single Gang Box
LED Indicator	Four-State Standard	Four-State Standard

Buried in this rugged housing, milled from a solid block of high strength, impact resistant black polycarbonate, sits an HID compatible proximity reader ready for action. Capable of withstanding conditions that will leave other readers out of service, **THE RUGGED SERIES** takes a beating and keeps on reading.

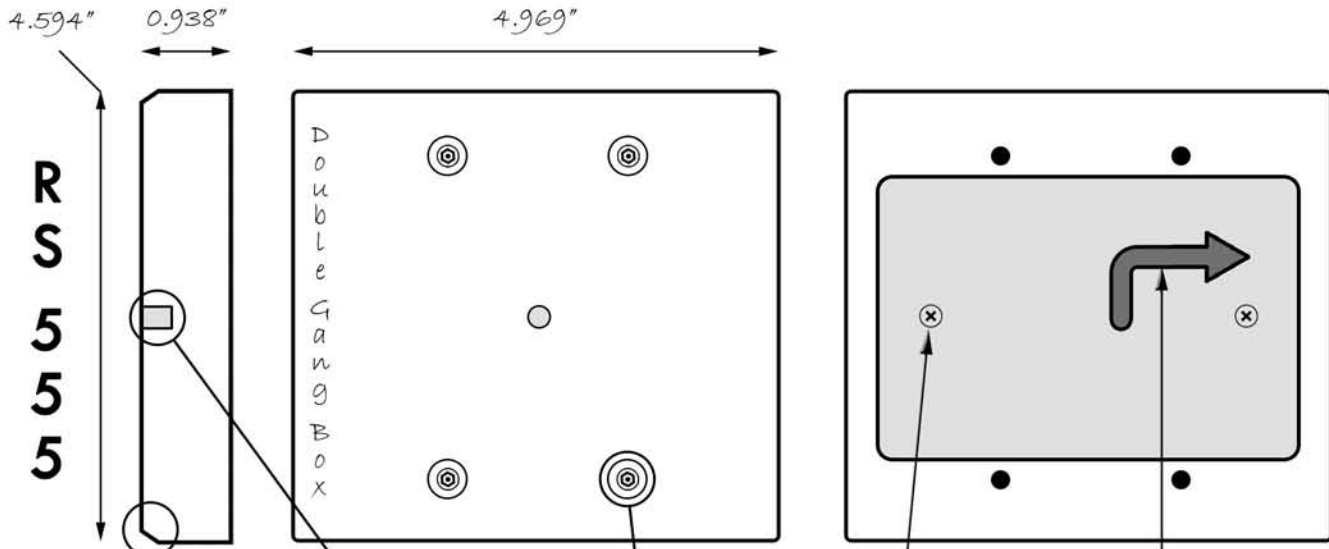
manufacturing dependability for years...



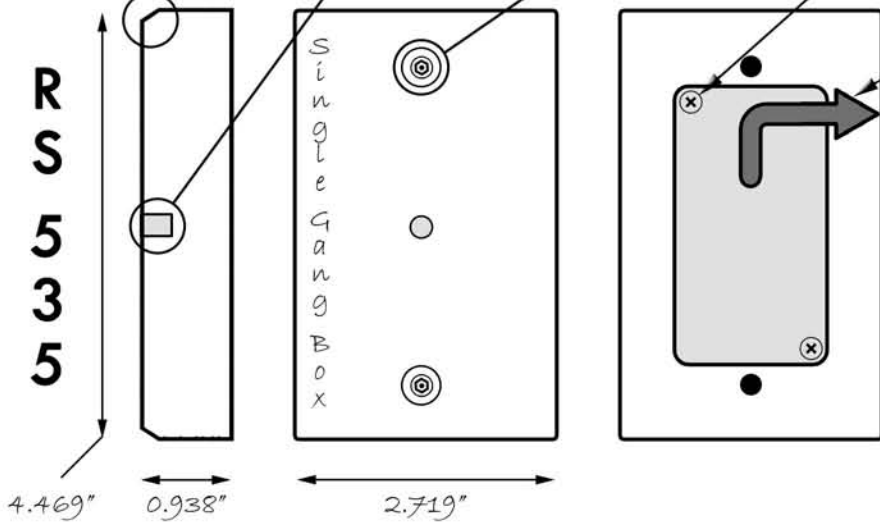
DoorTek is a registered trademark of DoorTek Corporation

HID
compatible

THE RUGGED SERIES, an innovative product designed to withstand direct blows that will destroy other readers. In two popular configurations, the RS555 is designed to fit a standard double gang electrical box while the RS535 will fit a single gang box. The HID compatible proximity reader, protected inside the high strength black polycarbonate shield, delivers contactless read ranges up to 7 inches. With the ability to operate at input voltages ranging from +5 to 14 VDC and a miserly current draw of 40mA, this is no power hog. Because the electronics are secured in tamper-resistant epoxy potting **THE RUGGED SERIES** can operate in the most extreme weather conditions as well. And, with a field replaceable internal reader, cost and down time are minimized.



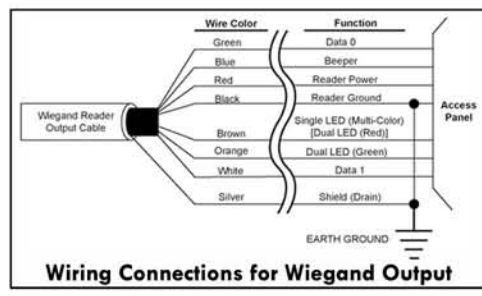
- Rounded Corners & Beveled Edges
- Solid Light Tube Protects the LED
- Tamper Resistant Security Screws
- Proximity Reader Is Field Replaceable
- Easy To Wire with 36" Cable Tail
- HID Compatible 26-Bit Wiegand



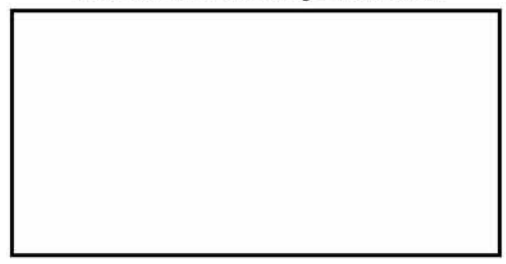
Read Range	RS555@4"-7"	RS535@ 3"-5"
Technology	125KHz Proximity RFID	
Output Format	26-Bit Std. Wiegand Protocol	
Credential	HID compatible	
Input Voltage	+5 VDC to 14 VDC	
Current Draw	40 mA typical	
Operating Temp	-40° C to +65° C	
Housing Material	Impact Resistant Polycarbonate	
Application	Vandle Resistant All Weather	
LED	Four-State	
Audio Tone	Standard Piezo	
Certification	Meets Most Industry Certificaitons	
Warranty	Lifetime*	

*limited lifetime warranty against defects in materials and workmanship

DoorTek Corporation
 9107 Marbach Road, Suite 230
 San Antonio, TX 78245
 210 674-7223
 Fax 210 674-8482
 www.DoorTek.com
 email: sales@doortek.com



Authorized DoorTek System dealer



DoorTek Corporation reserves the right to change specifications without notice.
 ©2006 DoorTek Corporation - All other trademarks are the property of their respective owners.



DoorTek is a registered trademark of DoorTek Corporation